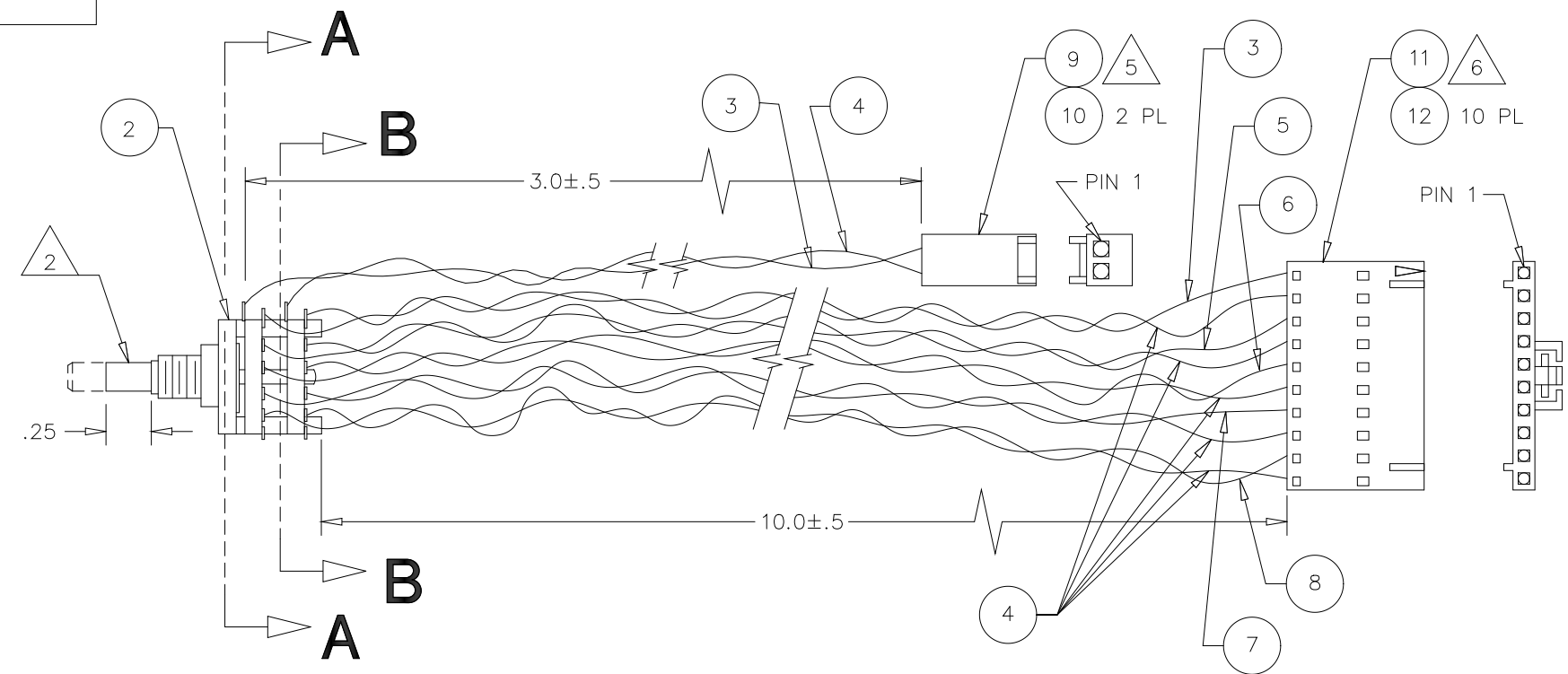
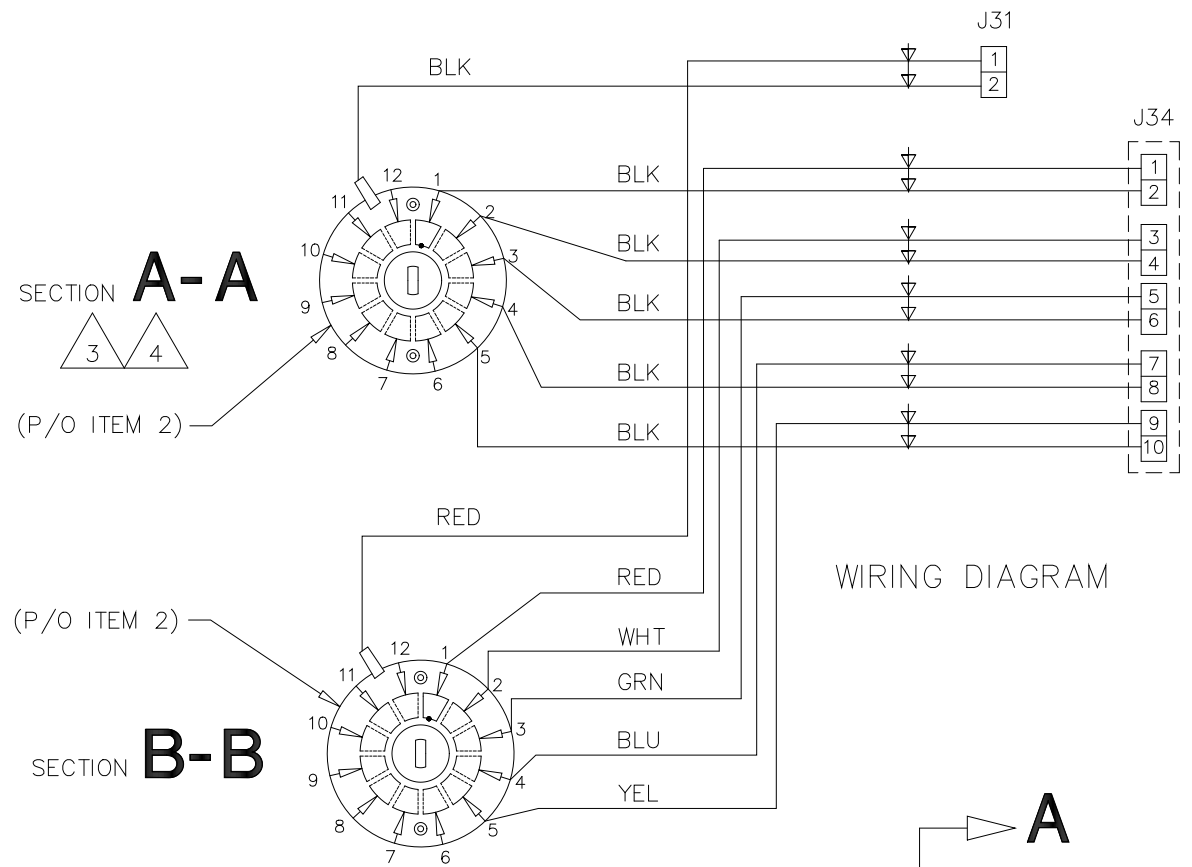


REV	DESCRIPTION	APVD	BY	DATE
A	PRODUCTION RELEASE PER ECO 4090		WBP JJK	01/06/06
B	REVISED PER ECO 4131		JJK	03/01/06



NOTES: UNLESS OTHERWISE SPECIFIED:

1. DELETED.
2. CUT SWITCH SHAFT, ITEM 2, TO LENGTH SHOWN.
3. INSTALL KEY ON 12.
4. INSTALL KEY ON 5.
5. MARK TERMINAL HOUSING, ITEM 9, IN BLACK INK WITH DESIGNATOR "J31".
6. MARK CONNECTOR HOUSING, ITEM 11, IN CONTRASTING INK WITH DESIGNATOR "J34".
7. MARK WITH THE PART/ASSEMBLY NUMBER AND THE REVISION LEVEL BY BAGGING AND/OR TAGGING.

SEE SEPARATE BILL(S) OF MATERIAL

DWGFORM: HP-DFTMST C	DWN BY <i>P. Moore</i>	DATE 05/24/89	TOLERANCES UNLESS OTHERWISE SPECIFIED: DIMENSIONS ARE IN INCHES .X = ± .01 .XXX = ± .005 1/2" = ± 1/2" MACHINED SURFACES REMOVE ALL BURRS, SHARP EDGES & CORNERS .005-.010	TITLE ASSEMBLY, CABLE, PHANTOM, DIPOLE SELECTOR SWITCH
	ENGR APVD <i>W. Caldwell</i>	DATE 03/14/90		
	MFG APVD <i>F. Bloomquist</i>	DATE 06/13/90		
	QC APVD <i>F. Meyers</i>	DATE 11/25/91		
		DATE 01/10/06		
	SCALE NONE			
NEXT ASSY	USED ON	DO NOT SCALE DWG		
			MATERIAL	
			<p>The information contained on this drawing is proprietary property of 4-D NEUROIMAGING and is not to be disclosed to others, reproduced or used for any purpose except as authorized in writing by above.</p>	
SHEET 1	OF 1	SIZE C	DWG NO. 9033-013	REV B