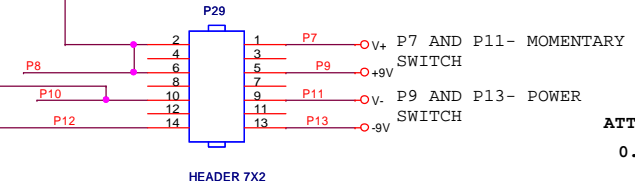
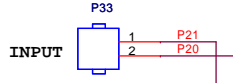
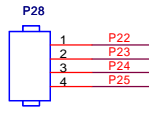
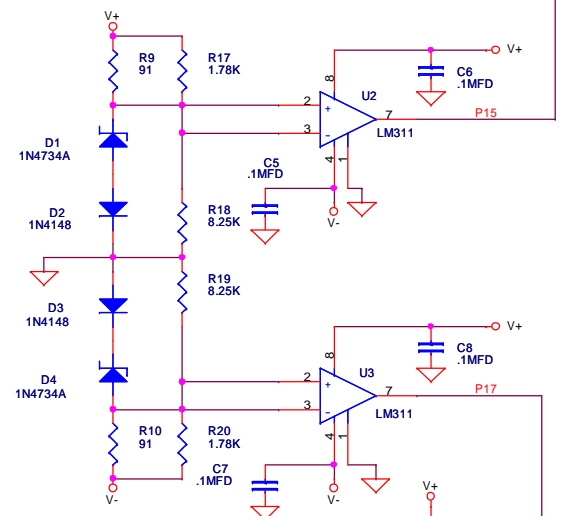


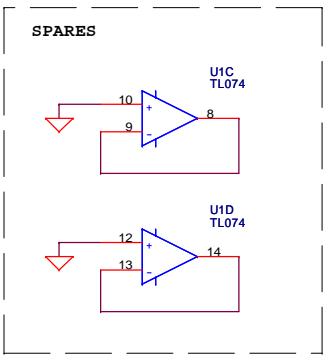
BATTERY INPUTS



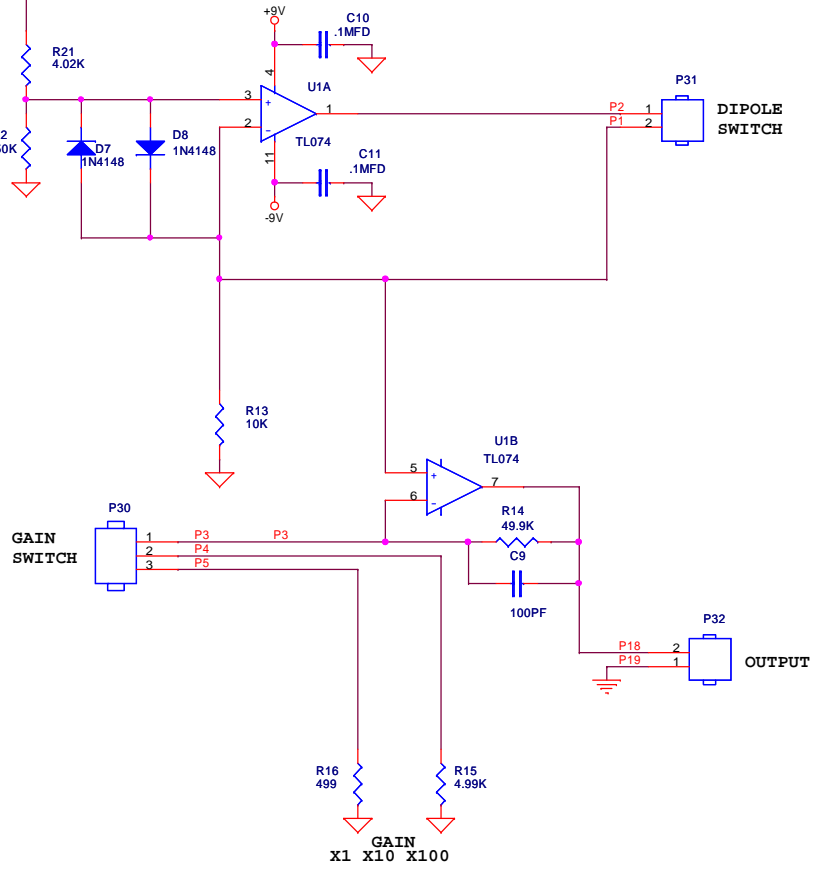
BATTERY V+ LED



BATTERY V- LED



ATTENUATION BY 0.272



REV	DESCRIPTION	APPVD	BY	DATE
1	INITIAL RELEASE		HBe	3/12/90
2	REVISED RESISTOR VALUES		DLS	4/9/91
A	PART CHANGES PER ECO 4090		WCP	11/4/05
B	U1 PART CHANGE PER ECO 4131		WCP	2/15/06
C	ADD D7, D8 AND C9 PER ECO		WCP	9/19/07

DWN BY Bill Power	DATE 11/4/05	Title SCHEMATIC, PHANTOM CONTROL BOARD
CHKD BY	DATE	 4-D NEUROIMAGING <small>The information contained on this drawing is proprietary property of 4-D NEUROIMAGING and is not to be disclosed to others, reproduced, or used for any purpose except as authorized in writing by above.</small>
ENGR APPVD Bill Power	DATE 11/4/05	
QC APPVD	DATE	
Sheet 1 Of 1		Dwg. No. 9033-125 Rev. C